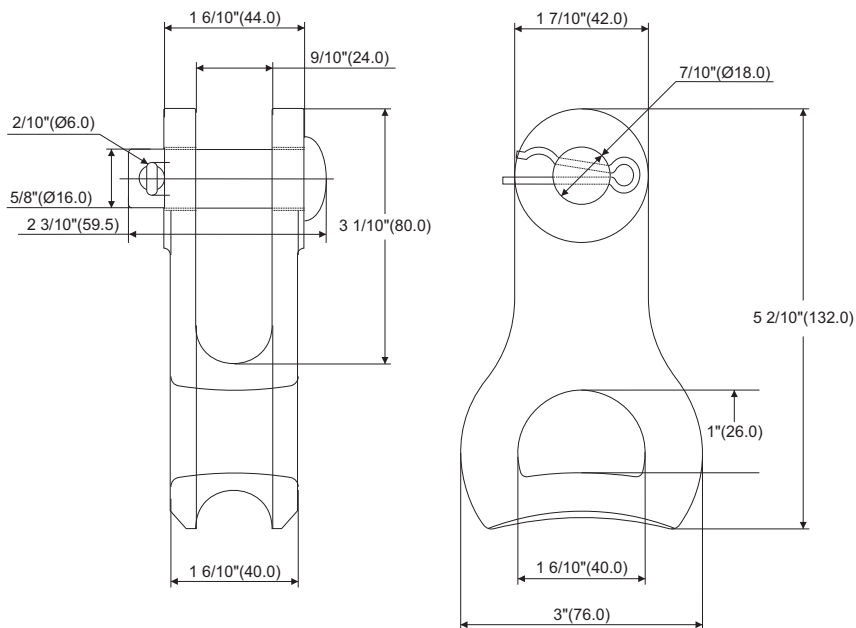


# Fittings Thimble



## CATALOG NUMBER

CH657

Working load limit, Kg (lbs)

6000 (13.200)

Nodular cast iron-standard ASTM A-536 Class 65-45-12

Hot galvanized

Rounding Moulding R=1 mm

**Note:** Dimensions in inches (mm)