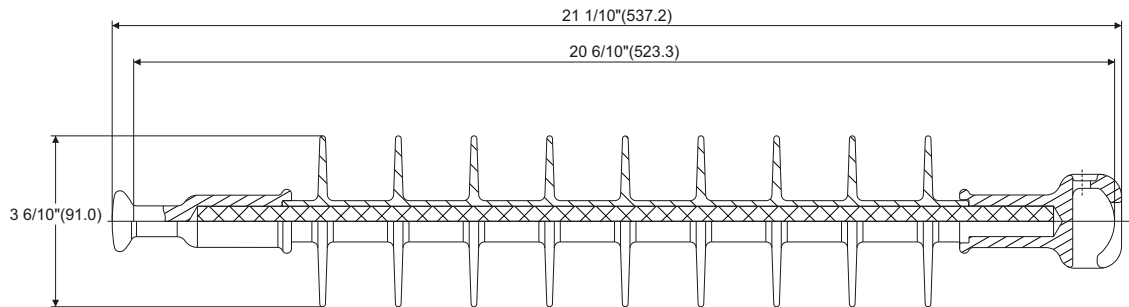


# Polymer Dead Ends Insulators Ball and socket



<b>CATALOG NUMBER</b>	<b>PS035B80</b>
ANSI CLASS (C29.13 - 2000)	DS-35
IEC	61109
<b>CRITICAL DISTANCES, inches (mm)</b>	
Dry arcing distance	15 3/8" (390)
Leakage distance	36" (915)
<b>MECHANICAL VALUES</b>	
Specified mechanical load (SML) lb (kN)	17984 (80)
Routine test load (RTL) lb (kN)	8992 (40)
torsional load, lb.ft (N.m)	35 (47)
<b>ELECTRICAL VALUES, kV</b>	
Typical application voltage	35
Low-frequency dry flashover	160
Low-frequency wet flashover	150
critical impulse flashover positive	265
BIL	255
<b>RADIO INFLUENCE DATA</b>	
Test voltage, kV	30
Maximum RIV 1000 kHz, $\mu$ V	<10
Fiber glass rod (E-glass)	
Polymer housing: silicone "high voltage"	
End fitting: nodular iron galvanized	