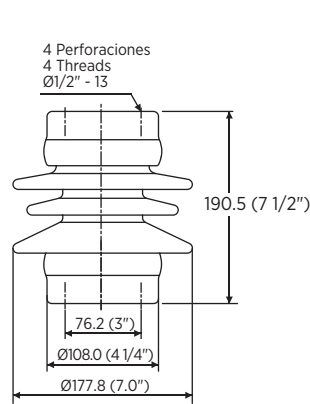
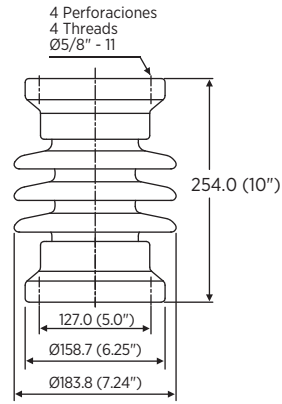


AIALDORES TIPO ESTACIÓN, 95kV BIL

Station post type insulators, 95kV BIL



TR-202
STANDARD
STRENGTH UNIT



TR-222
HIGH
STRENGTH UNIT

| NÚMERO DE CATÁLOGO | 202SU0095 | 222HU0095 |
|--------------------------------------|-----------|-----------|
| ANSI CLASS C29.9-1983 (R2012) | TR 202 | TR 222 |
| DISTANCIAS CRÍTICAS, mm | | |
| Distancia de fuga | 267 | 267 |
| VALORES MECÁNICOS | | |
| Resistencia al cantilever arriba, kN | 9 | 17 |
| Resistencia al cantilever abajo, kN | 9 | 17 |
| Resistencia a la tensión, kN | 31.1 | 66 |
| Resistencia a la torsión, N.m | 677 | 1,355 |
| Resistencia a la compresión, kN | 44.4 | 89 |
| VALORES ELÉCTRICOS, kV | | |
| Voltaje típico de aplicación | 7.5 | 7.5 |
| Flameo crítico al impulso positivo | 105 | 105 |
| Flameo de baja frecuencia en húmedo | 30 | 30 |
| Impulso soportado | 95 | 95 |
| RADIO INFLUENCIA | | |
| Voltaje de prueba RMS a tierra, kV | 5 | 5 |
| RIV máximo a 1,000 kHz, μ V | 50 | 50 |
| DATOS DE EMPAQUE | | |
| Peso neto por unidad, kg | 6.80 | 5.36 |

Nota 1: Dimensiones en mm (pulgadas).
Nota 2: Esmalte café o esmalte gris ANSI 70.
Nota 3: Los aisladores se pueden suministrar con rosca M12.

| CATALOG NUMBER | 202SU0095 | 222HU0095 |
|---|-----------|-----------|
| ANSI CLASS C29.9-1983 (R2012) | TR 202 | TR 222 |
| CRITICAL DISTANCE, mm | | |
| Leakage distance | 267 | 267 |
| MECHANICAL VALUES | | |
| Cantilever strength, upright, kN | 9 | 17 |
| Cantilever strength, underhung, kN | 9 | 17 |
| Tensile strength, kN | 31.1 | 66 |
| Torsion strength, N.m | 677 | 1,355 |
| Compression strength, kN | 44.4 | 89 |
| ELECTRICAL VALUES, kV | | |
| Typical application voltage | 7.5 | 7.5 |
| Impulse flashover, positive | 105 | 105 |
| Low frequency withstand, 10 sec. wet | 30 | 30 |
| Impulse withstand | 95 | 95 |
| RADIO INFLUENCE VOLTAGE DATA | | |
| Low-frequency test voltage, RMS to ground | 5 | 5 |
| Maximum RIV at 1,000 kHz, μ V | 50 | 50 |
| PACKING DATA | | |
| Net weight, kg | 6.80 | 5.36 |

Note 1: Dimensions in mm (in).
Note 2: ANSI 70 gray is standard. Brown or white available by request.
Note 3: Insulators can be ordered with M12 thread size.