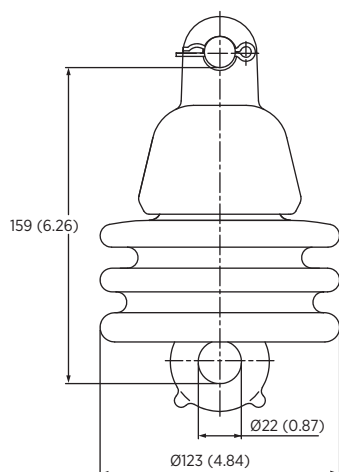


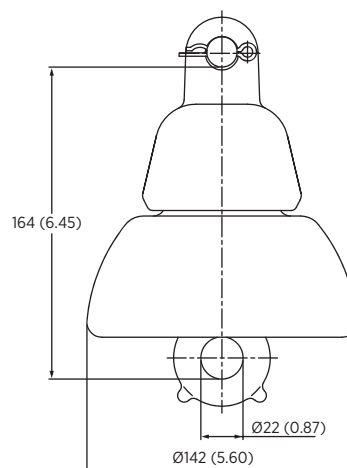


AISLADORES DE SUSPENSIÓN, TIPO CLEVIS

Suspensions Insulators, clevis type



A8232



A8233

| NÚMERO DE CATÁLOGO | A8232 | A8233 |
|--|-------|-------|
| Clase ANSI C29.2 | 52-9A | 52-9B |
| DISTANCIAS CRÍTICAS, mm | | |
| Distancia de arco | 114 | 114 |
| Distancia de fuga | 171 | 171 |
| VALORES MECÁNICOS | | |
| Resistencia electromecánica, kN | 44 | 44 |
| Resistencia al impacto N.m | 5 | 5 |
| Prueba de carga de rutina, kN | 22 | 22 |
| Prueba de carga sostenida, kN | 27 | 27 |
| Carga máxima de trabajo, kN | 22 | 22 |
| VALORES ELÉCTRICOS, kV | | |
| Flameo de baja frecuencia en seco | 60 | 60 |
| Flameo de baja frecuencia en húmedo | 30 | 30 |
| Flameo crítico al impulso positivo | 100 | 100 |
| Flameo crítico al impulso negativo | 90 | 90 |
| Voltaje de perforación a baja frecuencia | 80 | 80 |
| RADIO INFLUENCIA | | |
| Voltaje de prueba RMS a tierra, kV | 7.5 | 7.5 |
| RIV máximo a 1,000 kHz, μ V | 50 | 50 |
| DATOS DE EMPAQUE | | |
| Peso neto por unidad, kg | 2.26 | 2.26 |

| CATALOG NUMBER | A8232 | A8233 |
|---|-------|-------|
| ANSI Class C29.2 | 52-9A | 52-9B |
| CRITICAL DISTANCE, mm | | |
| Dry arcing distance | 114 | 114 |
| Leakage distance | 171 | 171 |
| MECHANICAL VALUES | | |
| Combined M & E strength, kN | 44 | 44 |
| Mech, impact strength, N.m | 5 | 5 |
| Routine proof test load, kN | 22 | 22 |
| Time load test value, kN | 27 | 27 |
| Maximum, working load, kN | 22 | 22 |
| ELECTRICAL VALUES, kV | | |
| Low-frequency dry flashover | 60 | 60 |
| Low-frequency wet flashover | 30 | 30 |
| Critical impulse flashover, positive | 100 | 100 |
| Critical impulse flashover, negative | 90 | 90 |
| Low-frequency puncture voltage | 80 | 80 |
| RADIO INFLUENCE VOLTAGE DATA | | |
| Low-frequency test voltage, RMS to ground | 7.5 | 7.5 |
| Maximum RIV at 1,000 kHz, μ V | 50 | 50 |
| PACKING DATA | | |
| Net weight, kg | 2.26 | 2.26 |

Nota 1: Dimensiones en mm (pulgadas).

Nota 2: Esmalte café o esmalte gris ANSI 70.

Nota 3: Los aisladores pueden solicitarse con doble capa de galvanizado en campana.

Nota 4: Los aisladores pueden solicitarse con manguito de zinc para zonas contaminadas.

Note 1: Dimensions in mm (in)

Note 2: ANSI 70 gray is standard. Brown or white available by request.

Note 3: Insulators can be requested with extra hot-dip galvanized layer in caps.

Note 4: Insulators can be requested with zinc sleeve ball bolt for contaminated areas.