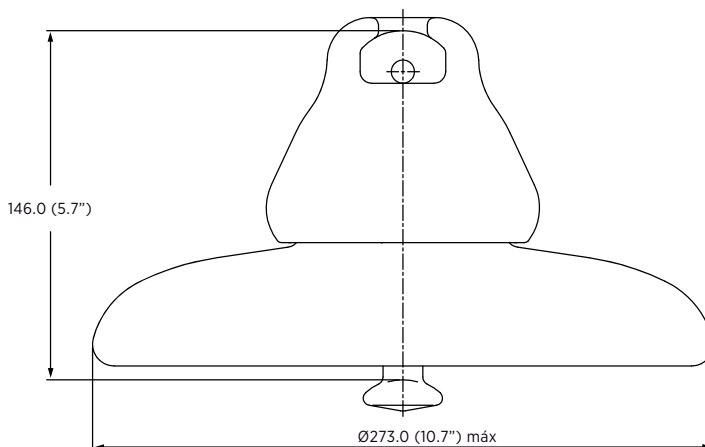




AISLADORES DE SUSPENSIÓN, TIPO BOLA & SOCKET

Suspensions Insulators, ball & socket type



8257-8258

| NÚMERO DE CATÁLOGO | 8257 | 8258 |
|--|------|------|
| Clase ANSI C29.2B | 52-3 | 52-5 |
| DISTANCIAS CRÍTICAS, mm | | |
| Distancia de arco | 197 | 197 |
| Distancia de fuga | 300 | 300 |
| VALORES MECÁNICOS | | |
| Resistencia electromecánica, kN | 89 | 111 |
| Resistencia al impacto N.m | 10 | 10 |
| Prueba de carga de rutina, kN | 44.5 | 55.5 |
| Prueba de carga sostenida, kN | 60 | 67 |
| Carga máxima de trabajo, kN | 44.5 | 55.5 |
| VALORES ELÉCTRICOS, kV | | |
| Flameo de baja frecuencia en seco | 80 | 80 |
| Flameo de baja frecuencia en húmedo | 50 | 50 |
| Flameo crítico al impulso positivo | 125 | 125 |
| Flameo crítico al impulso negativo | 130 | 130 |
| Voltaje de perforación a baja frecuencia | 110 | 110 |
| RADIO INFLUENCIA | | |
| Voltaje de prueba RMS a tierra, kV | 10 | 10 |
| RIV máximo a 1,000 kHz, µV | 50 | 50 |
| DATOS DE EMPAQUE | | |
| Peso neto por unidad, kg | 5.10 | 5.10 |

Nota 1: Dimensiones en mm (pulgadas).

Nota 2: Esmalte café o esmalte gris ANSI 70.

Nota 3: Los aisladores pueden solicitarse con doble capa de galvanizado en campana.

Nota 4: Los aisladores pueden solicitarse con manguito de zinc para zonas contaminadas.

| CATALOG NUMBER | 8257 | 8258 |
|---|------|------|
| ANSI Class C29.2B | 52-3 | 52-5 |
| CRITICAL DISTANCE, mm | | |
| Dry arcing distance | 197 | 197 |
| Leakage distance | 300 | 300 |
| MECHANICAL VALUES | | |
| Combined M & E strength, kN | 89 | 111 |
| Mech, impact strength, N.m | 10 | 10 |
| Routine proof test load, kN | 44.5 | 55.5 |
| Time load test value, kN | 60 | 67 |
| Maximum, working load, kN | 44.5 | 55.5 |
| ELECTRICAL VALUES, kV | | |
| Low-frequency dry flashover | 80 | 80 |
| Low-frequency wet flashover | 50 | 50 |
| Critical impulse flashover, positive | 125 | 125 |
| Critical impulse flashover, negative | 130 | 130 |
| Low-frequency puncture voltage | 110 | 110 |
| RADIO INFLUENCE VOLTAGE DATA | | |
| Low-frequency test voltage, RMS to ground | 10 | 10 |
| Maximum RIV at 1,000 kHz, µV | 50 | 50 |
| PACKING DATA | | |
| Net weight, kg | 5.10 | 5.10 |

Note 1: Dimensions in mm (in).

Note 2: ANSI 70 gray is standard. Brown or white available by request.

Note 3: Insulators can be requested with extra hot-dip galvanized layer in caps.

Note 4: Insulators can be requested with zinc sleeve ball bolt for contaminated areas.